

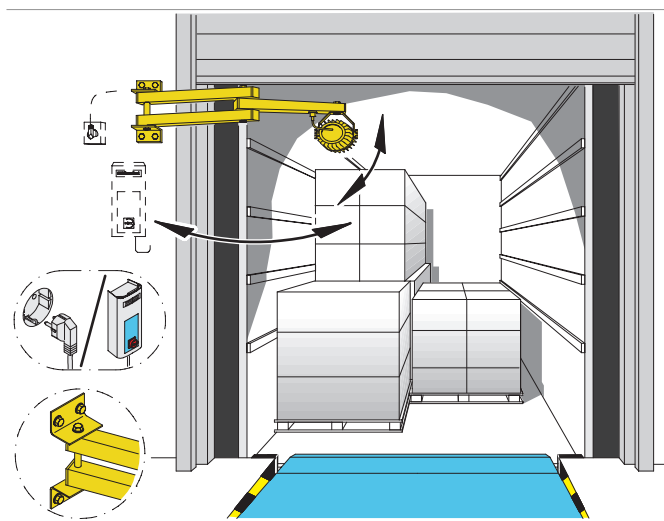
1.2 ASSA ABLOY DE6090DL Dock light Heavy Duty LED

1.2.1 Application

Where dock lights are often a vulnerable object in the docking area, the virtually indestructible Dock Light Heavy Duty LED is the perfect solution to bring light in the truck and docking area. It is designed for the most demanding environments and can withstand possible hard hits from a moving forklift without being damaged. The housing is made of cast aluminum, combined with a shatterproof polycarbonate lens cover. With a protection class of IP66 it is dust tight and able to withstand water spray. The 18 Watt LED technology gives the Dock Light Heavy Duty LED a long life time combined with low energy consumption while providing extensive illumination.

Standard Installation with arm

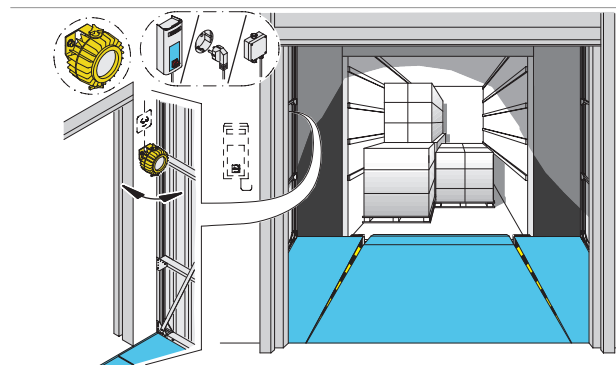
Due to its flexible arm the Dock Light Heavy Duty LED is easy to install inside the building next to the loading bay. The easy to adjust solid construction ensure a good lightening to every corner of the truck.



The ASSA ABLOY Dock Light LED is easy to install inside the building next to the loading bay and will lighten every corner of the lorry due to its flexible arms. The transformer is completely sealed and protected against dust and splash water. The lamp cover is made of metal and has a wide handle.

Alternative installation direct to the wall

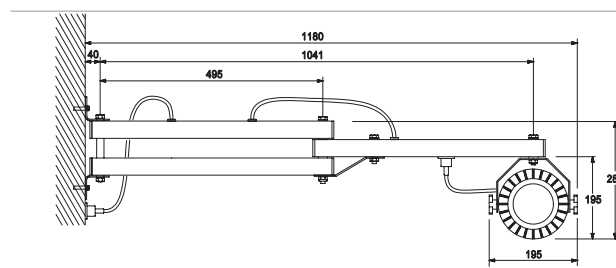
In a loadhouse application the Dock Light Heavy Duty LED can be installed on the outside wall of the building next to the loading bay door. This position and the unique durable construction makes the Dock Light Heavy Duty LED the perfect solution to bring light in the docking area.



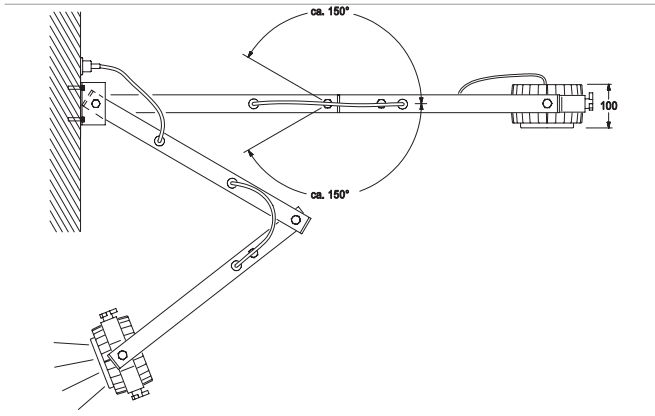
1.2.2 Specifications

- 18 W LED lamp
- More than 60.000 hours life time in typical applications
- Protection Class: IP66
- Cast aluminum housing
- Shatterproof polycarbonate lens cover
- Connection 230 V AC with plug
- Cable length 2 m

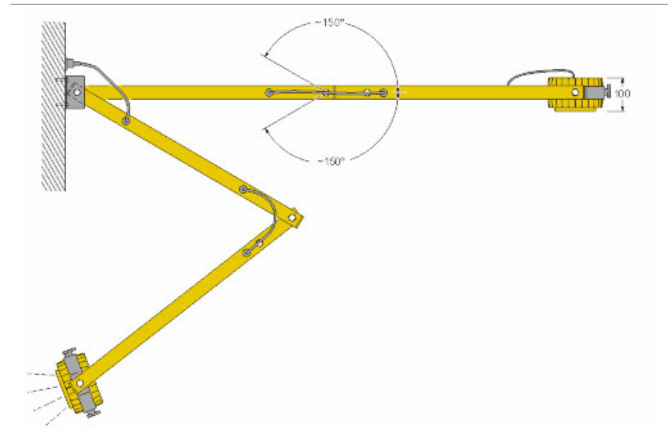
1.2.3 Side view



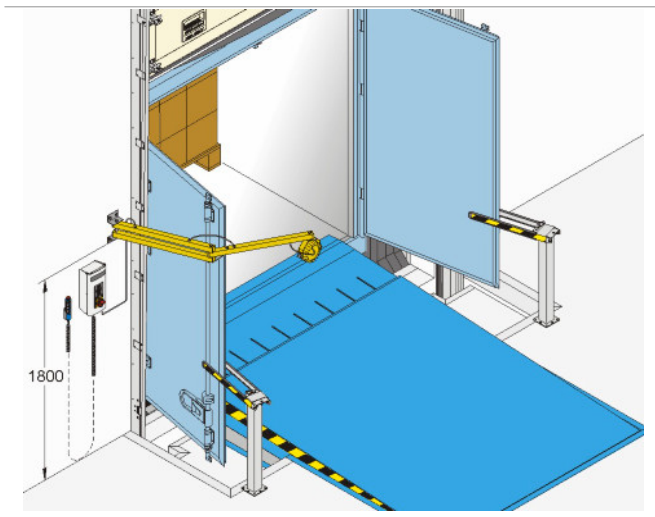
1.2.4 Top view



1.2.7 Top view



1.2.5 Dock Light XL



The XL version of the Dock Light Heavy Duty LED was specifically designed for the stepdock solution. When the rear truck doors are opened, the prolonged arm ensures a good lightening into the truck.

1.2.6 Side view

